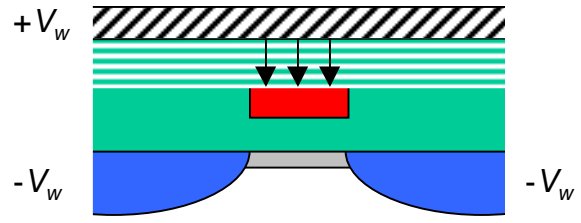
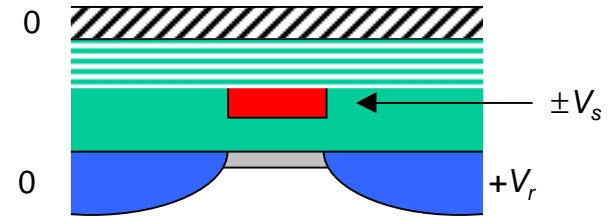


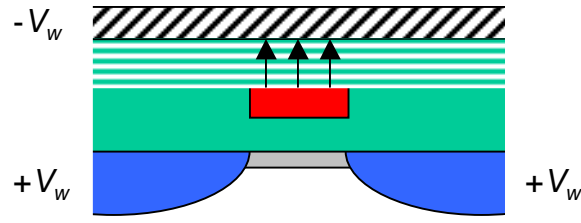
WRITE 1



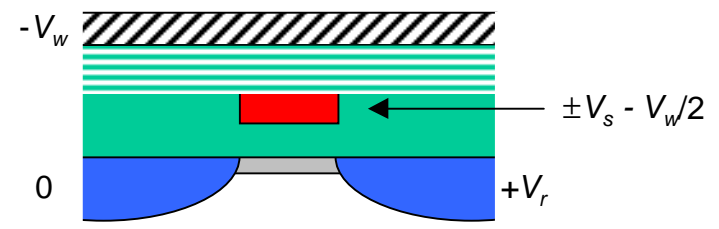
READ SELECT

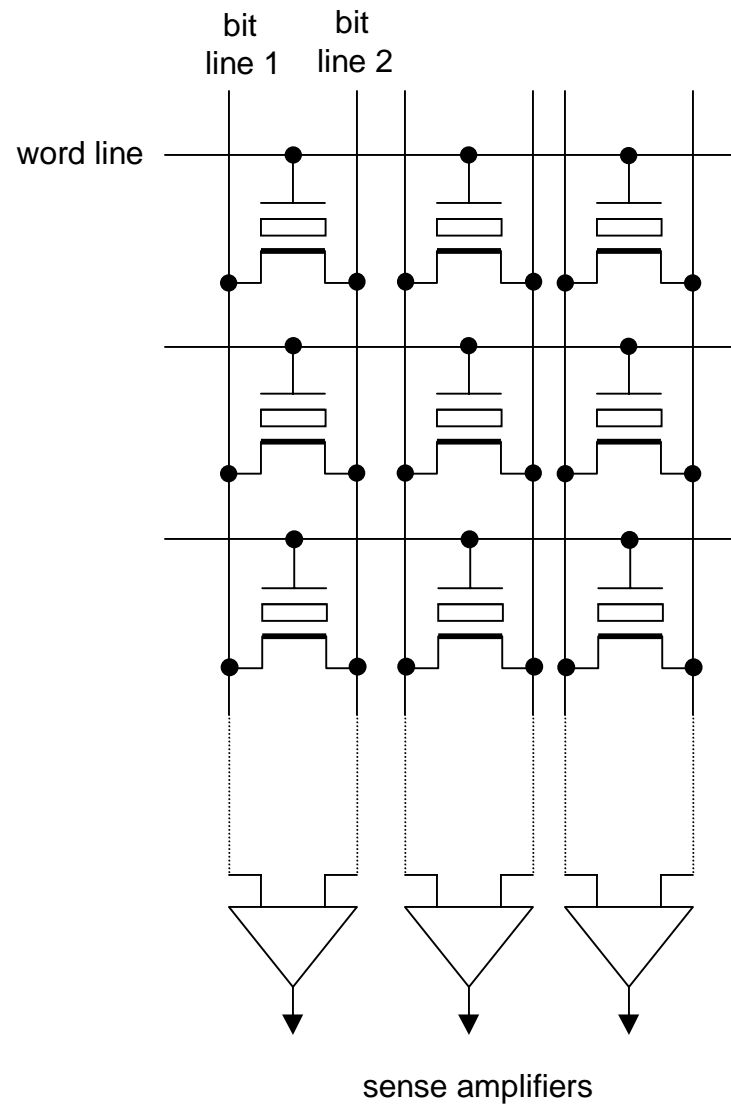


WRITE 0

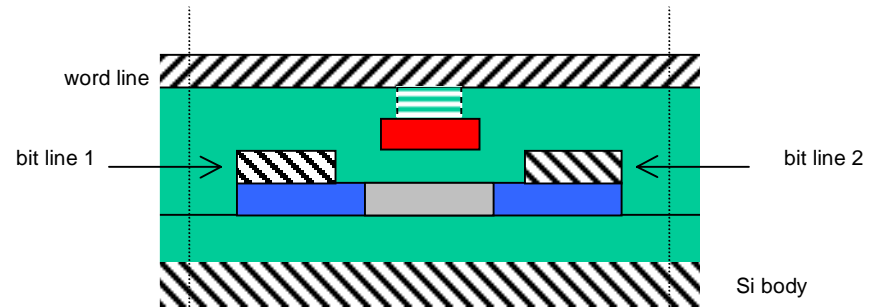


READ DESELECT





Cross - section



Top view

